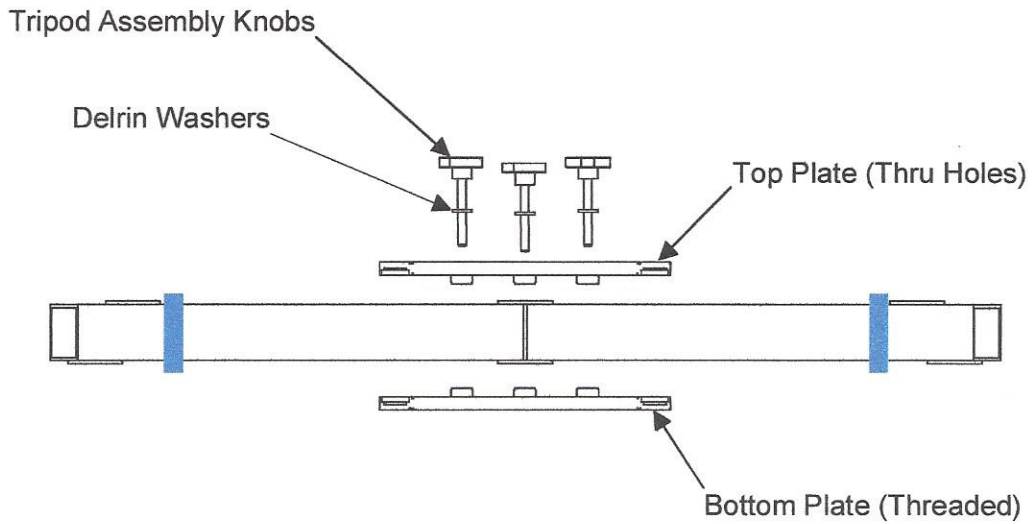
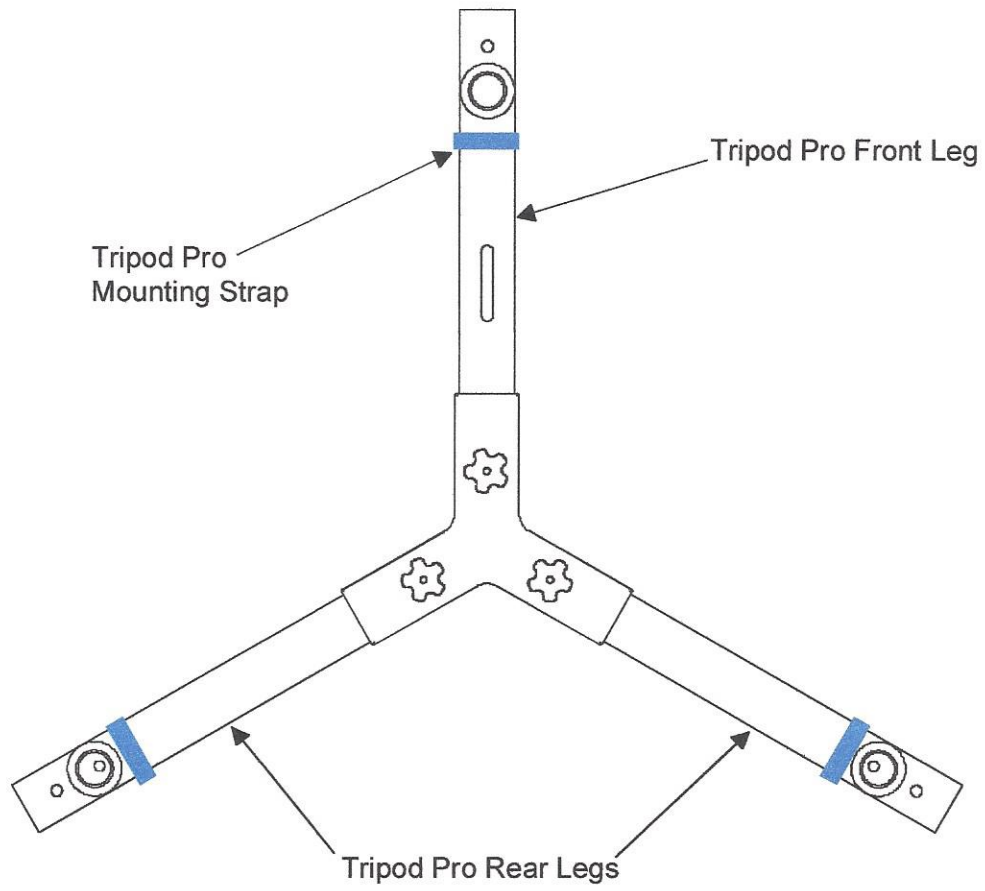
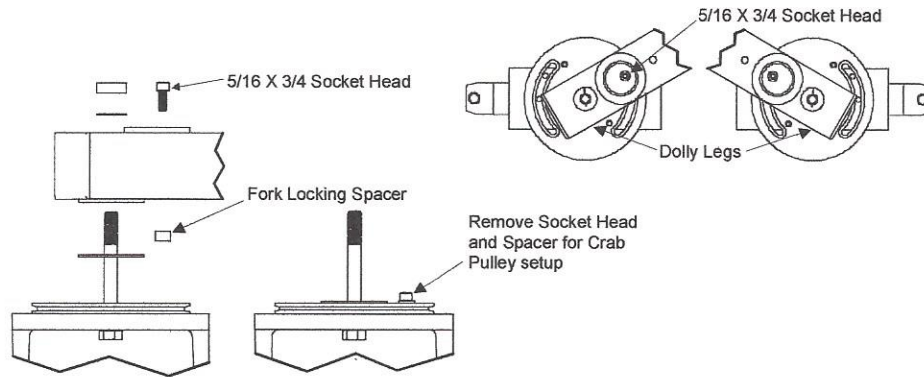


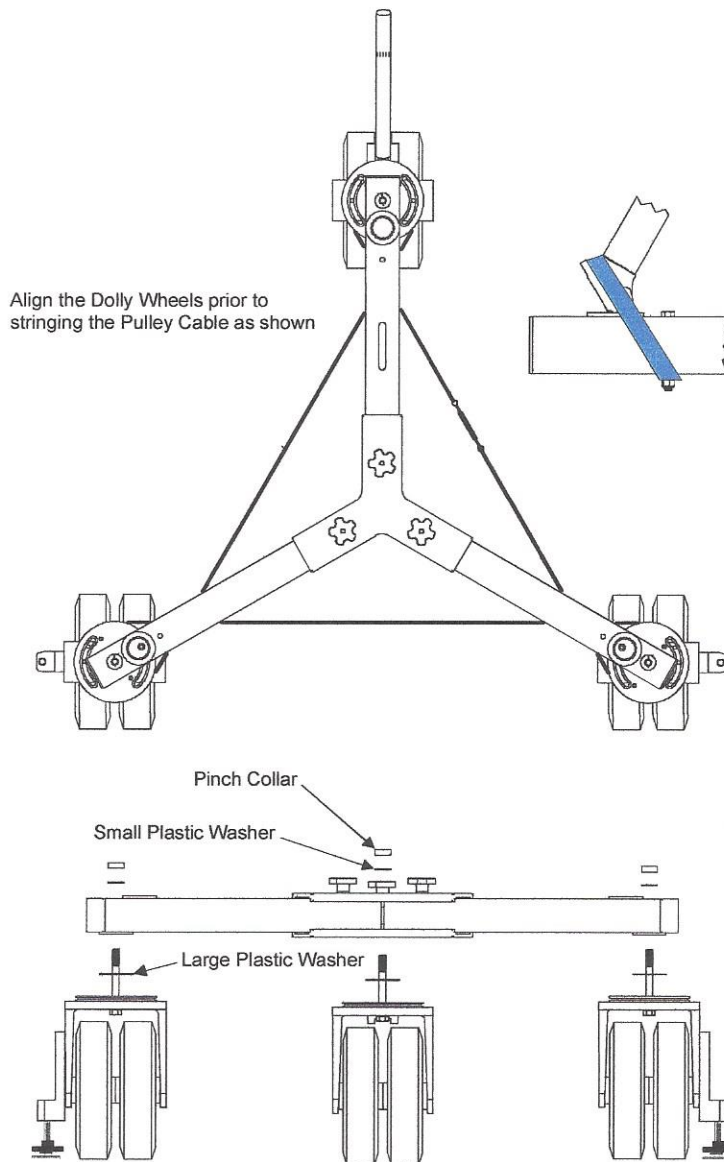
Triangle Pro 3 Wheel Frame Setup



Pro Single Wheel Steering Setup



Crab Dolly Setup

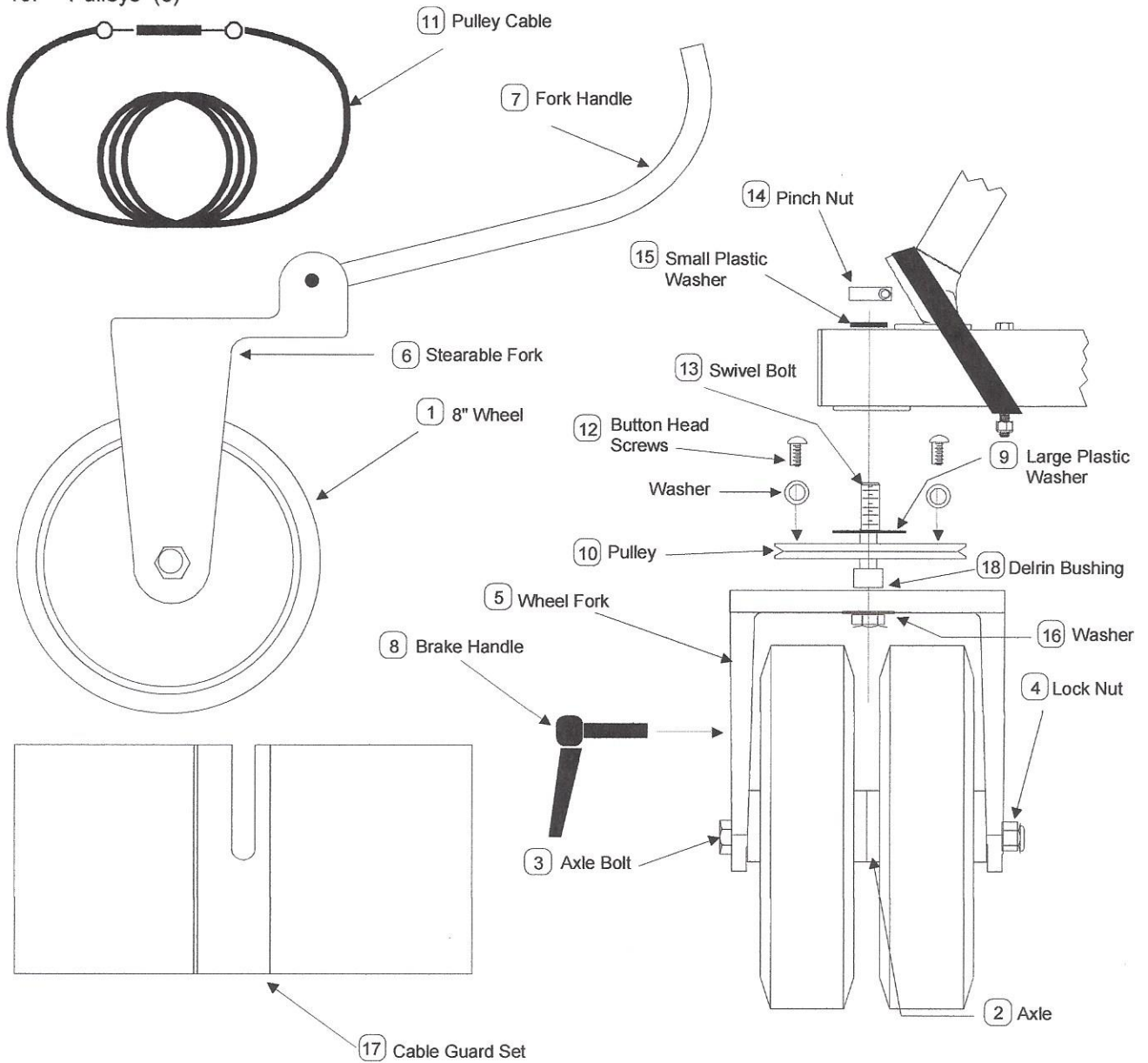


STANTON CRAB DOLLY

OCT17

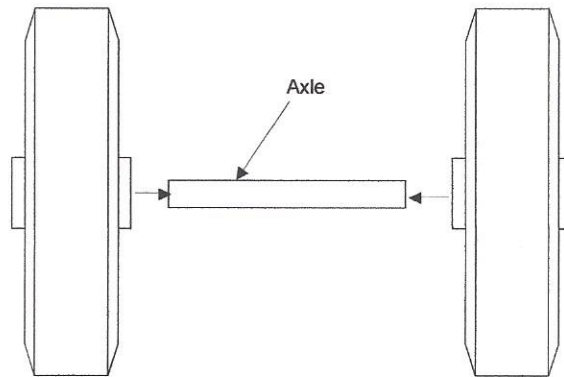
If you are missing any of the following items, please contact Stanton Video immediately 602 493 9505

- | | |
|-----------------------------|------------------------------|
| 1. 8" Wheels (6) | 11. Pulley Cable (1) |
| 2. Axle (3) | 12. Button Head Screws (6) |
| 3. Axle Bolt (3) | 13. Swivel Bolt (3) |
| 4. Lock Nuts (3) | 14. Pinch Nut (3) |
| 5. Wheel Fork (2) | 15. Small Plastic Washer (3) |
| 6. Steerable Fork (1) | 16. Washer (3) |
| 7. Fork Handle (1) | 17. Cable Guard Sets (3) |
| 8. Brake Handle (3) | 18. Delrin Bushing (2) |
| 9. Large Plastic Washer (3) | |
| 10. Pulleys (3) | |

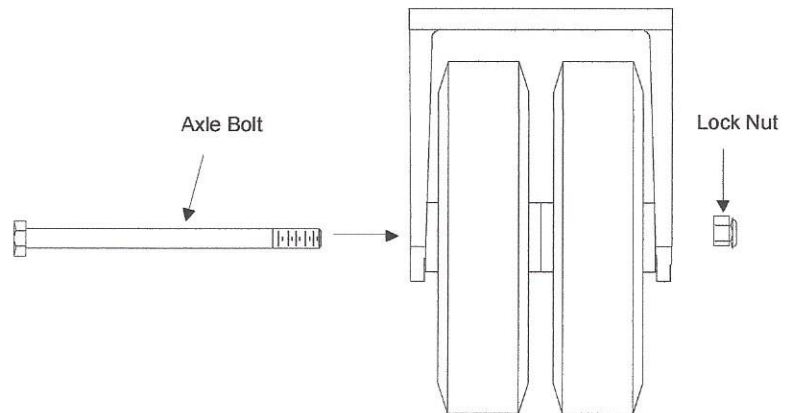


WHEEL ASSEMBLY

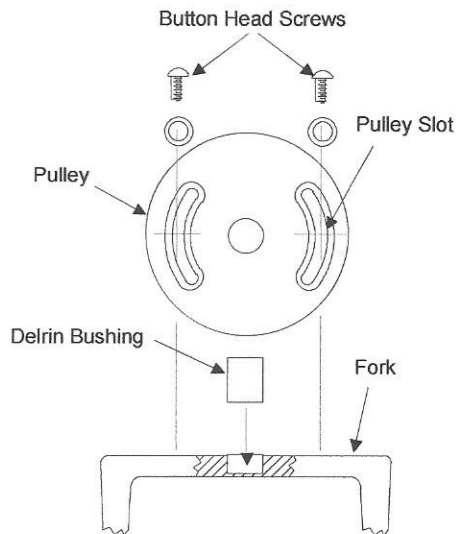
1. Slide the Wheels onto the Axle.



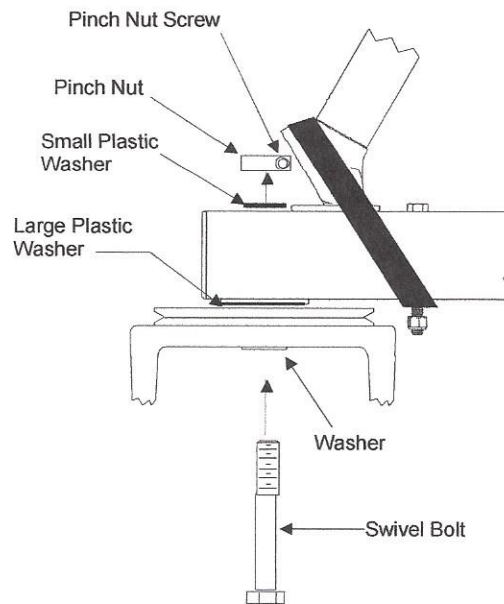
2. Insert the Wheels and Axle between the Forks and secure with the Axle Bolt.



5. Press the Delrin Bushing into the Fork (this bushing may already be installed). The bushing should be flush with the bottom surface.
6. Mount the Pulley using the Delrin Bushing as a guide and fasten in place with the Button Head Screws. The screws should be centered in the Pulley Slots.

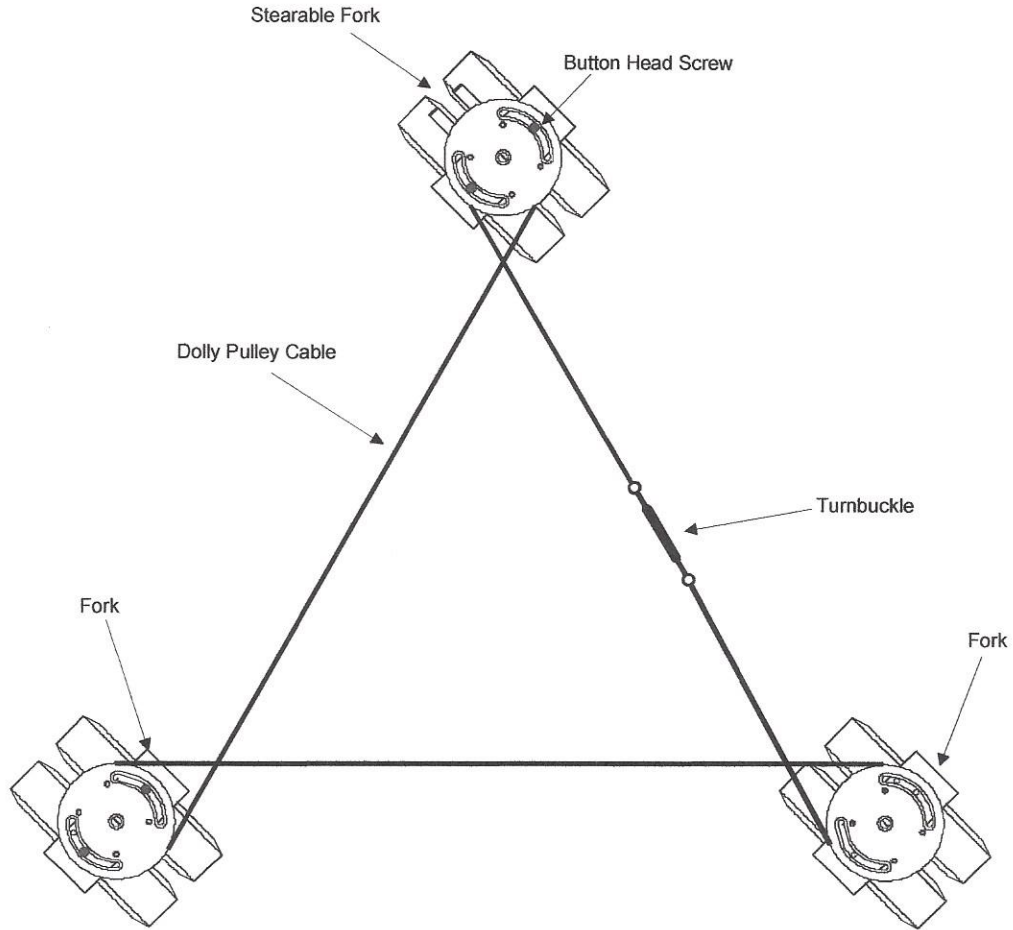


7. Install Fork to Dolly Tube using the Swivel Bolt. The Steerable Fork can be put can be placed in any of the three wheel locations.
8. Tighten the Pinch Nut against the Small Plastic Washer. This washer locks the Swivel Bolt to the Dolly Tube and prevents the bolt from turning when the wheels are "crabbed".
9. Tighten the Pinch Nut Screw. This screw **Must Be Tightened**, otherwise the Swivel Bolt may unscrew when the wheels are turned.



CABLE ASSEMBLY

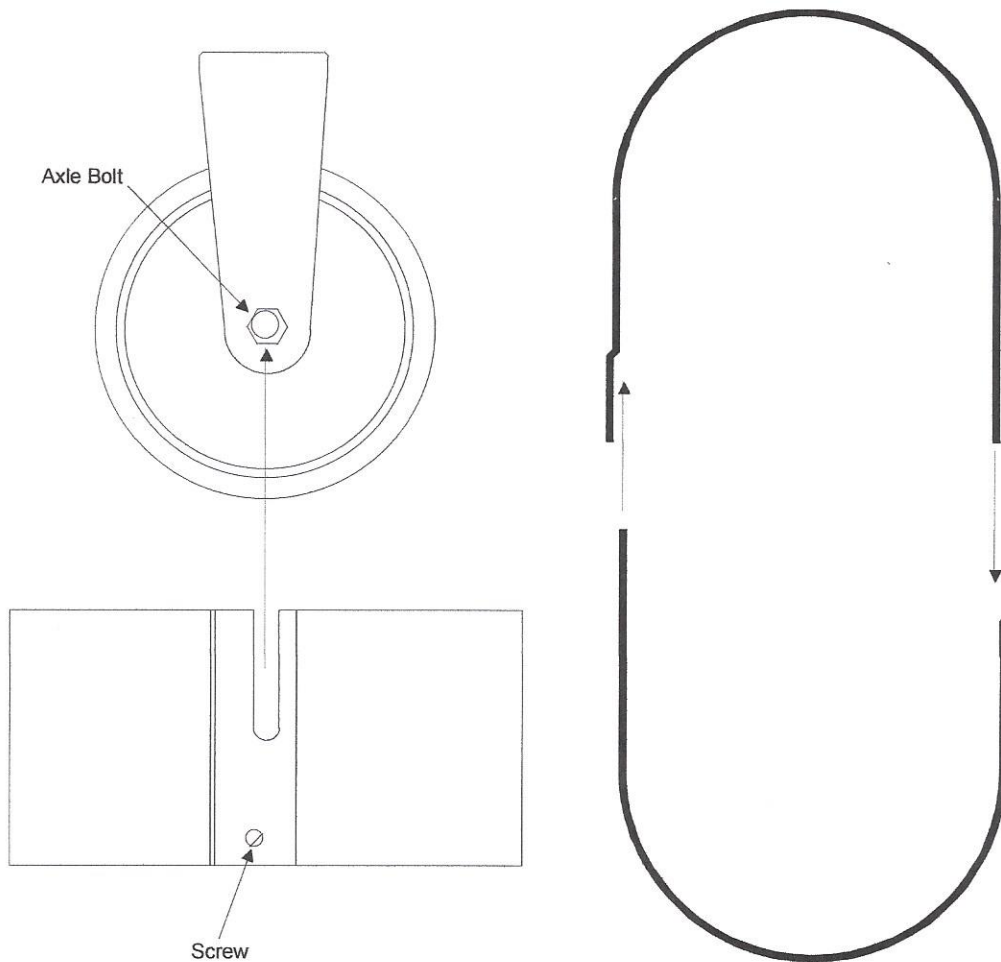
1. Align the Dolly Wheels.
2. String the Pulley Cable as shown in the drawing.
3. Tighten the Turnbuckle. This will probably cause the wheels to become misaligned.
4. By loosening the Button Head Screws the wheels can now be realigned.



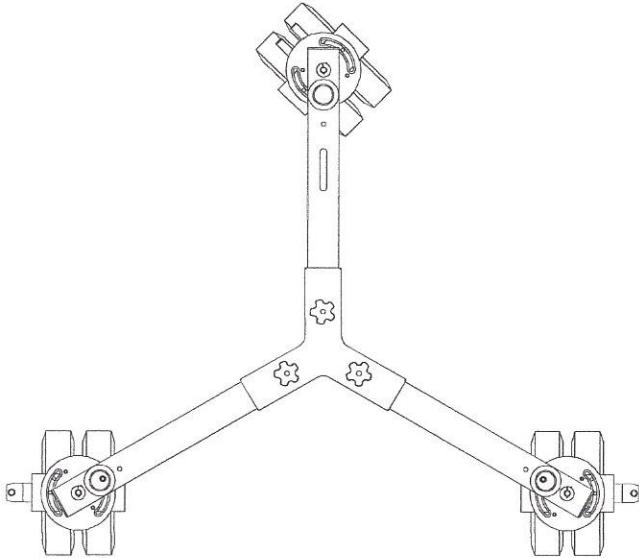
CABLE GUARDS

1. The Cable Guards should be installed before the Jib is installed onto the Dolly
2. Attach each Cable Guard set by fastening the two halves together with the screw and nut provided.
3. Loosen the axle bolt and slide the guards onto the bolt.
4. Adjust the Cable Guards high enough to miss any cracks or uneven areas in the floor. Make sure the are guards are low enough to catch the smallest cable.

WARNING -- Improper adjustment of the Cable Guards could result in either missing a cable or running a guard into an uneven floor tile or some other imperfection in the dolly runway. This could result is upsetting the entire Jib Arm.



SINGLE WHEEL STEERING



If you want to maneuver the Dolly by steering with the leading wheel it will be necessary to lock the two back wheels. This is accomplished by inserting two spacers into the pulley slot and inserting two screws through the Dolly Leg into the fork.

